

Super-Slim Type Low-Noise Duct Fan 超薄型静音管道风机



The Super-Slim Type Low-Noise Duct Fan is an ideal equipment for ventilation in house, villas, office, conference rooms, shopping malls, hotel, restaurants and other public places. It can be efficiently used with connection to ducts for air supply and exhaust, perfectly keeping the indoor air clean and fresh.

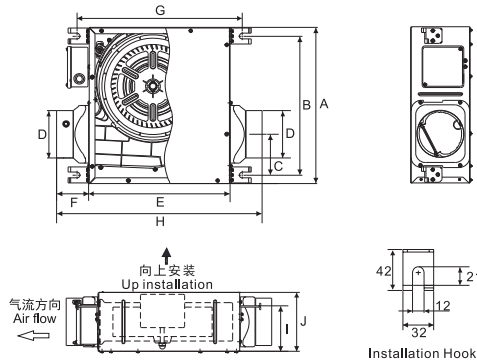
The super-slim type low-noise duct fan inlet and outlet makes installation with ducts much more easier and more space-saving and even extremely lower noise.

This series have the high and low setting modes, which would be more convenience for the customer to choose the suitable air volume.

超薄型静音管道风机是现代居住场所必备的通风设备，它能有效地进行送风换气，令室内空气清新、干净，适用于家庭、别墅、办公楼、会议室、商场、宾馆、酒楼或其它公共场所等。

超薄型静音管道风机设计进出风管是直出直入，不需弯曲，安装方便、外形美观，其创新薄型设计占空间少，噪音极低，高静压，检修便利，整系列超薄型静音管道风机具有强、弱档调节风量模式，客户可根据实际需要选择适合的风量。

External Dimensions 外形尺寸图



Dimension Table 尺寸表

Units 单位:mm

型号 Model No.	A	B	C	D	E	F	G	H	I	J	管口尺寸 Duct Size (mm)
DPT07-13H	295	260	100	73	275	65	324	405	72	100	Φ75
DPT10-24H	315	280	100	95	285	65	334	415	92	120	Φ100
DPT15-34H	315	280	120	148	285	65	334	415	132	170	Φ150
DPT15-45H	362	327	126	148	338	65	387	468	107	170	Φ150
DPT20-55H	445	410	146	200	465	65	512	595	158	220	Φ200
DPT20-56H	445	410	146	200	465	65	512	595	158	220	Φ200
DPT20-66H	445	410	146	200	465	65	512	595	158	220	Φ200

Super-Slim Type Low-Noise Duct Fan 超薄型静音管道风机

Electrical Ratings 技术参数

型号 Model No.	额定电压/ 频率/ 相数 Rated Voltage/ Frequency/ Phase	风轮直径 Impeller Diameter (mm)	档位 Setting	功率 Power (W)	转速 Rotating Speed (R.P.M.)	风量 Air Volume (m ³ /h)	静压 Static Pressure (Pa)	噪音 Noise (dB)	电机绝缘等级 Insulation Class	净重 Net Weight (kg)
DPT07-13H	220V~/ 50Hz/ 1Ph	180	/	25	1260	110	155	21	E	3.7
DPT10-24H				33	1305	210	160	24		
DPT15-34H		200	高档 High	66	1320	370	220	26		4.8
			低档 Low	56	1100	295	195	25		
DPT15-45H		230	高档 High	107	1360	550	255	29		7.2
			低档 Low	103	1170	415	225	27		
DPT20-55H		280	高档 High	150	890	770	330	33		14.4
			低档 Low	110	735	630	290	31		
DPT20-56H		280	高档 High	210	1090	920	365	35		14.4
			低档 Low	160	945	800	335	34		
DPT20-66H		280	高档 High	315	1310	1200	410	39		14.4
			低档 Low	270	1185	1000	390	37		

Performance Curve 性能曲线图

- A: DPT07-13H
- B: DPT10-24H(低档 Low)
- C: DPT10-24H(高档 High)
- D: DPT15-34H(低档 Low)
- E: DPT15-34H(高档 High)
- F: DPT15-45H(低档 Low)
- G: DPT15-45H(高档 High)
- H: DPT20-55H(低档 Low)
- I: DPT20-55H(高档 High)
- J: DPT20-56H(低档 Low)
- K: DPT20-56H(高档 High)
- L: DPT20-66H(低档 Low)
- M: DPT20-66H(高档 High)

