

11-62(A) Type Low-Noise Centrifugal Ventilator

11-62(A)型低噪音离心风机

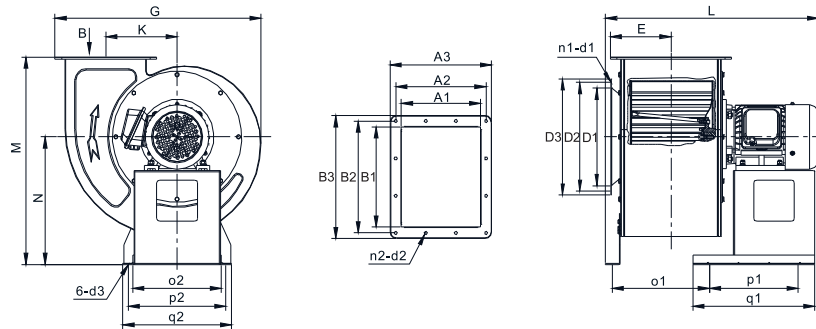


The 11-62(A) type low-noise centrifugal ventilator is widely used for the ventilation & smoke extraction in the kitchen of canteens, restaurants & hotels. Also, it is widely applicable for the agricultural, chemi-industrial, plastic industrial machines & equipments. The air or gas that is being delivered by the fan should be $\leq 80^{\circ}\text{C}$, and without any gunk, dust or rigid granule of no bigger than $150\text{mg}/\text{m}^3$.

The air outlet of the centrifugal ventilator can be made to 0° , 90° or 180° , the impeller will be driven by the motor directly.

11-62(A)型低噪声离心风机适用于食堂、宾馆酒楼、饮食店等公共场所的厨房排风、抽油烟或换气之用；并适用于粮食机械、化工机械、塑料机械等生产设备上使用，用途广泛，适应性强。输送的介质为空气或其它不自然对人体无害的气体，介质中不含粘性物质，温度 $\leq 80^{\circ}\text{C}$ ，含尘土及硬质颗粒物不超过 $150\text{mg}/\text{m}^3$ 。

External Dimensions 外形尺寸图



Inlet/Outlet Dimension Table

Unit 单位: mm

型号 Model No.	电机功率 Motor Power	进风口 Inlet				出风口 Outlet						
		D1	D2	D3	n1 - d1	A1	A2	A3	B1	B2	B3	n2 - d2
2.8A	0.75 kw	184	255	280	8- Φ 8	195	223	253	236	265	295	10- Φ 7
3A	0.75 kw, 1.5 kw, 2.2 kw	220	290	310	8- Φ 8	217	245	275	270	298	328	12- Φ 8
3.5A	1.1 kw, 2.2 kw, 3 kw	260	320	340	8- Φ 8	250	288	318	270	298	328	12- Φ 8
4A	2.2 kw, 3 kw	295	350	380	9- Φ 9	285	325	355	345	385	415	12- Φ 13
4.5A	3 kw, 4 kw	350	420	450	8- Φ 9	330	370	400	345	385	415	12- Φ 13
5A	4 kw, 5.5 kw	395	490	525	12- Φ 11	400	444	480	345	389	425	12- Φ 13
6A	7.5 kw	485	570	605	12- Φ 11	470	510	550	358	398	438	14- Φ 17

11-62(A) Type Low-Noise Centrifugal Ventilator

11-62(A)型低噪音离心风机

Dimension Table 尺寸表

Unit 单位: mm

型号 Model No.	电机功率 Motor Power	E	G	K	M	N	L	o1	p1	q1	o2	p2	q2	6 - d3
2.8A-4-1	0.75 kw	148	481	156	467	267	527	293	145	185	225	262	300	6-20 x 13
3A-6-1	0.75 kw	164	558	194	526	313	562	328	202	242	270	307	344	6-20 x 13
3A-4-1	1.5 kw	164	558	194	536	323	592	328	202	242	270	307	344	6-20 x 13
3A-4-2	2.2 kw	164	558	194	536	323	622	328	202	242	270	307	344	6-20 x 13
3.5A-6-1	1.1 kw	164	651	227	623	363	585	328	202	242	270	307	344	6-20 x 13
3.5A-4	2.2 kw, 3 kw	164	651	227	633	373	620	328	202	242	270	307	344	6-20 x 13
4A-6-1	2.2 kw	208	752	261	707	425	650	420	170	260	300	350	395	6-20 x 13
4A-6-2	3 kw	208	752	261	707	425	688	420	190	280	320	368	395	6-20 x 13
4.5A-6-1	3 kw	208	796	260	753	445	690	420	210	300	320	368	414	6-20 x 13
4.5A-6-2	4 kw	208	796	260	753	445	728	420	210	300	320	368	414	6-20 x 13
5A-6	4 kw, 5.5 kw	212	902	283	856	506	734	420	210	300	350	398	444	6-20 x 13
6A-6-1	7.5 kw	219	996	294	962	551	807	434	265	355	370	418	464	6-20 x 13

Model Explanation 型号说明

11-62 (A) - No. 3A - 4 - 1	第1设计序	Design serial No. 1
6	电机极数	Number of poles of the motor
11-62(A)	风轮直径(分米)	Impeller diameter(dm)
11-62(A)型低噪音离心风机代号	Code for 11-62(A) Type Low-Noise Centrifugal Ventilator	

Electrical Ratings 技术参数

型号 Model No.	额定电压/频率/相数 Rated Voltage/Frequency/Phase	转速 Rotating Speed (R.P.M.)	设计序号 Design Serial No.	风轮直径 Impeller Diameter (mm)	风量 Air Volume (m ³ /h)	全压 Total Pressure (Pa)	噪音 Noise (dB)	功率 Power (kw)
11-62(A)-No.2.8A	380V~1 50Hz/ 3Ph	1400	1	280	1370 ~ 2760	480 ~ 345	≤ 67	0.75
11-62(A)-No.3A		935	1	300	1408 ~ 2850	300 ~ 260	≤ 63	0.75
		1400	1	300	2150 ~ 4270	654 ~ 535	≤ 73	1.5
11-62(A)-No.3.5A		1410	2	300	2200 ~ 4400	650 ~ 520	≤ 74	2.2
		935	1	350	3200 ~ 5080	438 ~ 367	≤ 69	1.1
11-62(A)-No.4A		1410	1	350	2365 ~ 5613	960 ~ 750	≤ 76	2.2
		1420	2	350	5075 ~ 8065	1000 ~ 840	≤ 78	3
11-62(A)-No.4.5A		940	1	400	4860 ~ 7807	684 ~ 586	≤ 70	2.2
		960	2	400	5742 ~ 8830	670 ~ 520	≤ 73	3
11-62(A)-No.5A		960	1	450	6175 ~ 9220	896 ~ 837	≤ 76	3
		960	2	450	7342 ~ 11120	880 ~ 837	≤ 78	4
11-62(A)-No.6A		960	1	500	8127 ~ 10051	1167 ~ 1090	≤ 74	4
		960	2	500	8857 ~ 13021	1147 ~ 1018	≤ 77	5.5
11-62(A)-No.6A			970	1	600	9820 ~ 16894	1200 ~ 990	≤ 83